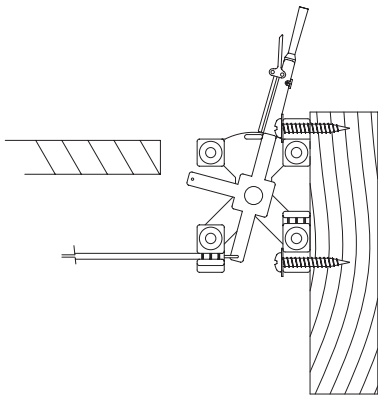
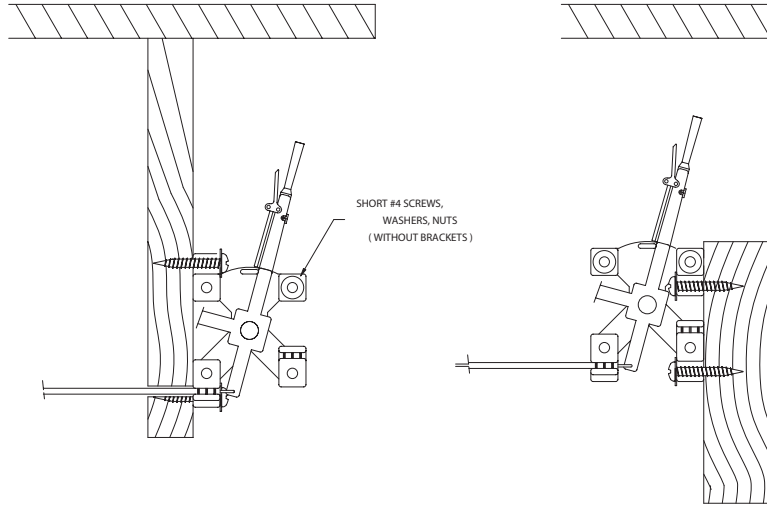


SHOWN ARE JUST A FEW OF THE MOUNTING CONFIGURATIONS  
 1/2 SIZE- ALL PARTS ARE NOT SHOWN FOR CLARITY

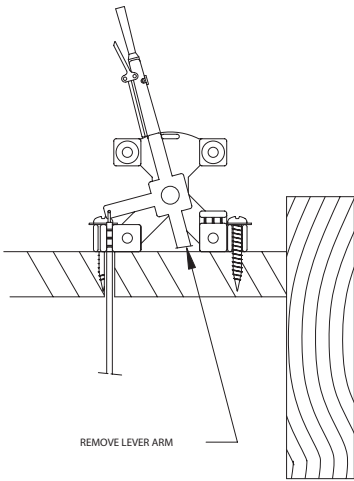


FACIA

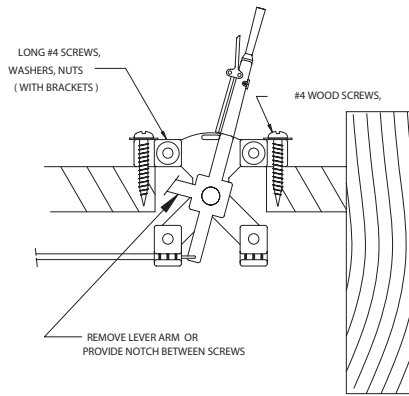
LAYOUT SURFACES



SHORT #4 SCREWS,  
 WASHERS, NUTS  
 (WITHOUT BRACKETS)



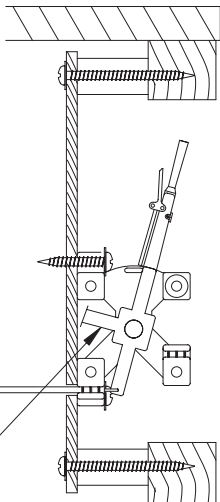
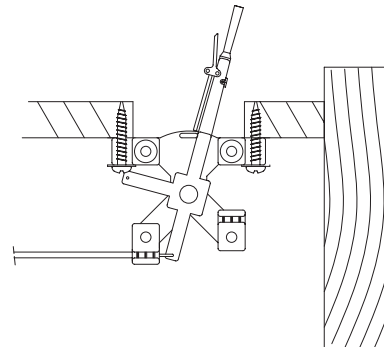
REMOVE LEVER ARM



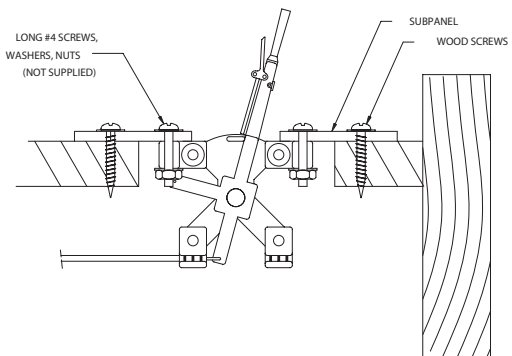
LONG #4 SCREWS,  
 WASHERS, NUTS  
 (WITH BRACKETS)

#4 WOOD SCREWS

REMOVE LEVER ARM OR  
 PROVIDE NOTCH BETWEEN SCREWS



REMOVE LEVER ARM OR  
 PROVIDE NOTCH BETWEEN SCREWS



LONG #4 SCREWS,  
 WASHERS, NUTS  
 (NOT SUPPLIED)

SUBPANEL  
 WOOD SCREWS